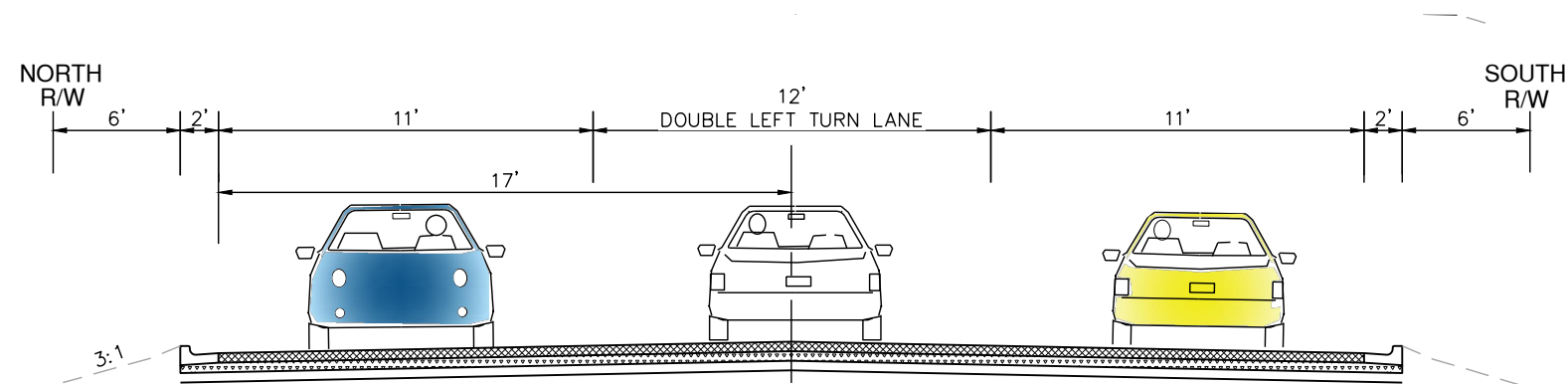


- LEGEND:
- APPROACH TO PROPERTY
  - SIDEWALK
  - CURB AND GUTTER



DESCRIPTION			
NO.	DATE	BY	DESCRIPTION

DESIGNED	TAE
DESIGN CHECKED	AW
DETAILED	TAE
DRAWING CHECKED	AW

SCALES SHOWN	ARE FOR 11" X 17" PRINTS ONLY
CADD FILE NAME	20633 PUBLIC INVOLVEMENT
DRAWING DATE	MAY 2020

**IDAHO TRANSPORTATION DEPARTMENT**

**HMH engineering**

PROJECT NO.	A020(633)
-------------	-----------

PUBLIC PROJECT OVERVIEW	BURLEY AVE US-30 TO FRUITLAND AVE
-------------------------	--------------------------------------

<b>English</b>
COUNTY TWIN FALLS
KEY NUMBER 20633
SHEET 3 OF 14

NOT APPROVED  
PRELIMINARY  
FOR CONSTRUCTION