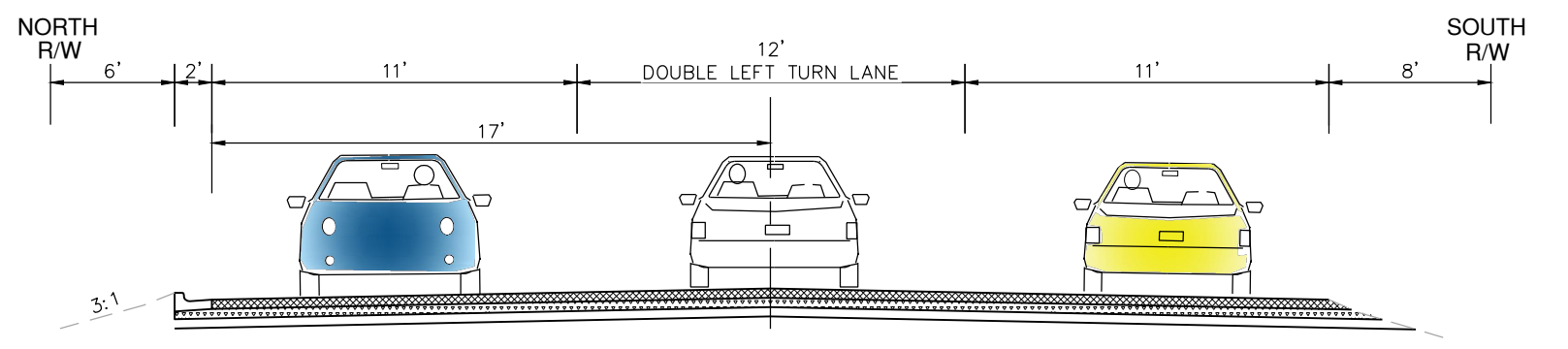
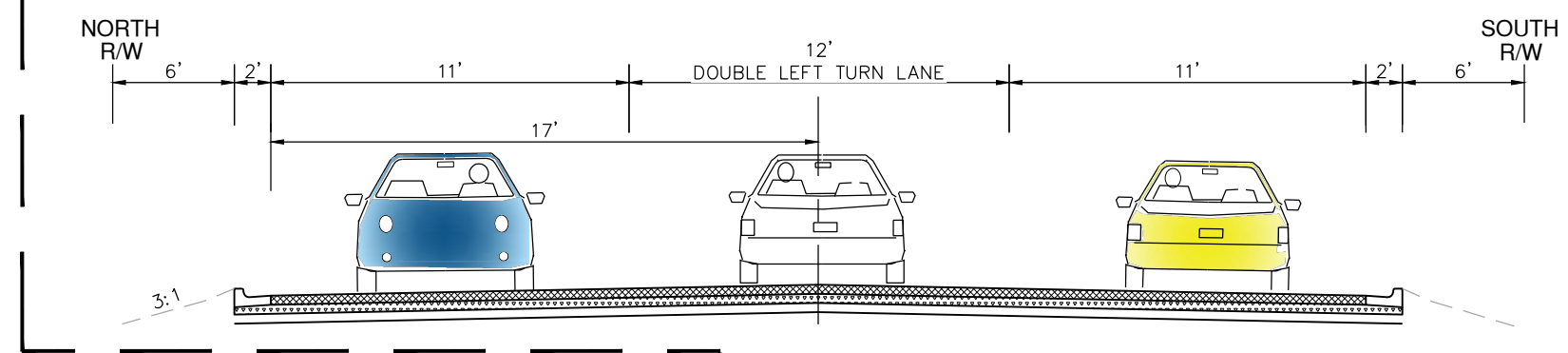


- LEGEND:
- APPROACH TO PROPERTY
 - SIDEWALK
 - CURB AND GUTTER



DESCRIPTION			
NO.	DATE	BY	DESCRIPTION

DESIGNED	TAE
DESIGN CHECKED	AW
DETAILED	TAE
DRAWING CHECKED	AW

SCALES SHOWN ARE FOR 11" X 17" PRINTS ONLY

CADD FILE NAME
20633 PUBLIC INVOLVEMENT

DRAWING DATE
MAY 2020

IDAHO TRANSPORTATION DEPARTMENT

HMH engineering

PROJECT NO.
A020(633)

PUBLIC PROJECT OVERVIEW

BURLEY AVE
US-30 TO FRUITLAND AVE

English

COUNTY TWIN FALLS

KEY NUMBER 20633

SHEET 2 OF 14

NOT APPROVED
PRELIMINARY
FOR CONSTRUCTION