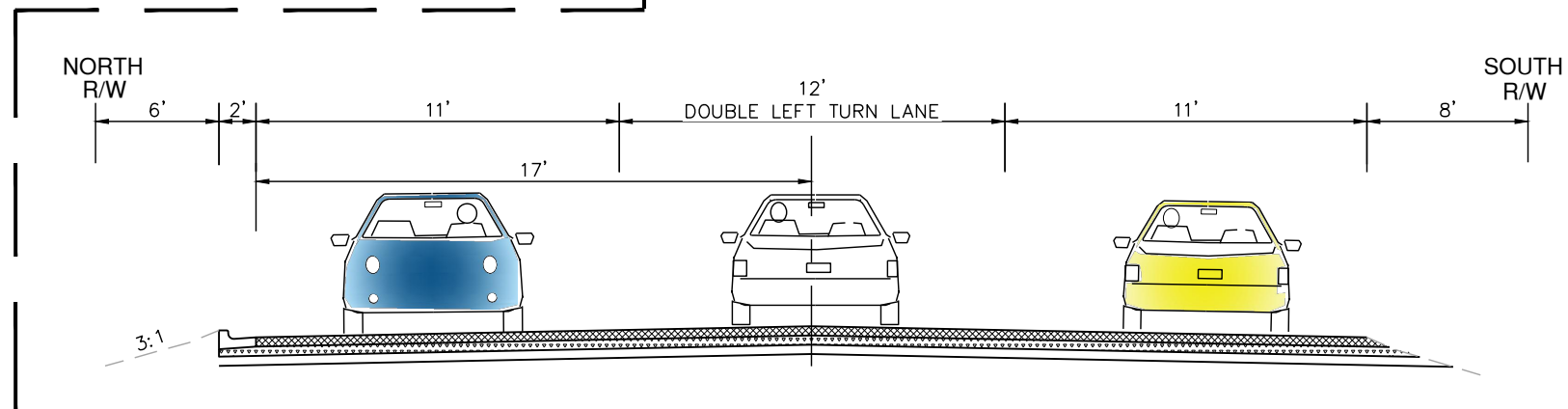
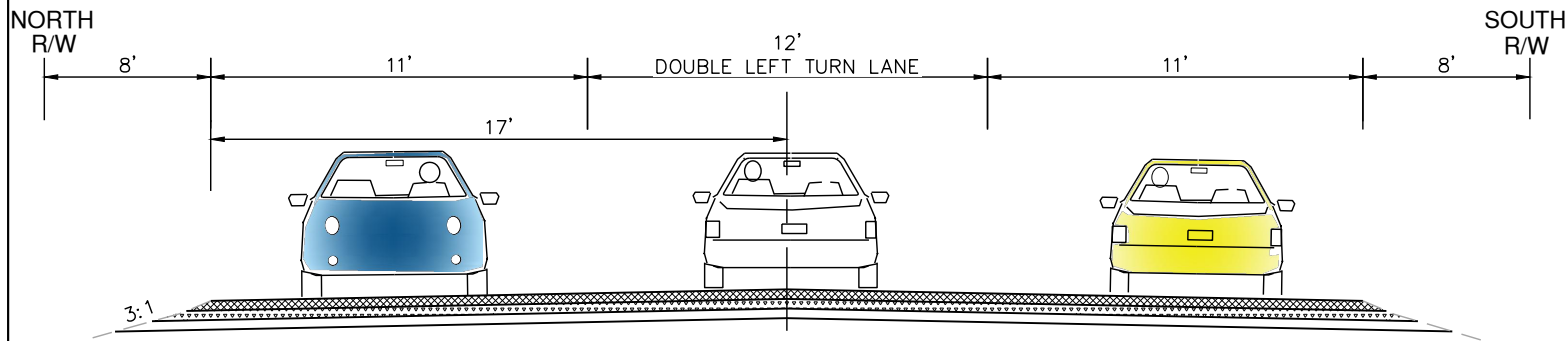


- LEGEND:
- APPROACH TO PROPERTY
 - SIDEWALK
 - CURB AND GUTTER



DESCRIPTION			
NO.	DATE	BY	DESCRIPTION

DESIGNED	TAE
DESIGN CHECKED	AW
DETAILED	TAE
DRAWING CHECKED	AW

SCALES SHOWN	ARE FOR 11" X 17" PRINTS ONLY
CADD FILE NAME	20633 PUBLIC INVOLVEMENT
DRAWING DATE	MAY 2020

IDAHO TRANSPORTATION DEPARTMENT

HMH engineering

PROJECT NO.	A020(633)
-------------	-----------

PUBLIC PROJECT OVERVIEW	BURLEY AVE US-30 TO FRUITLAND AVE
-------------------------	--------------------------------------

English
COUNTY TWIN FALLS
KEY NUMBER 20633
SHEET 1 OF 14

**NOT APPROVED
PRELIMINARY
FOR CONSTRUCTION**